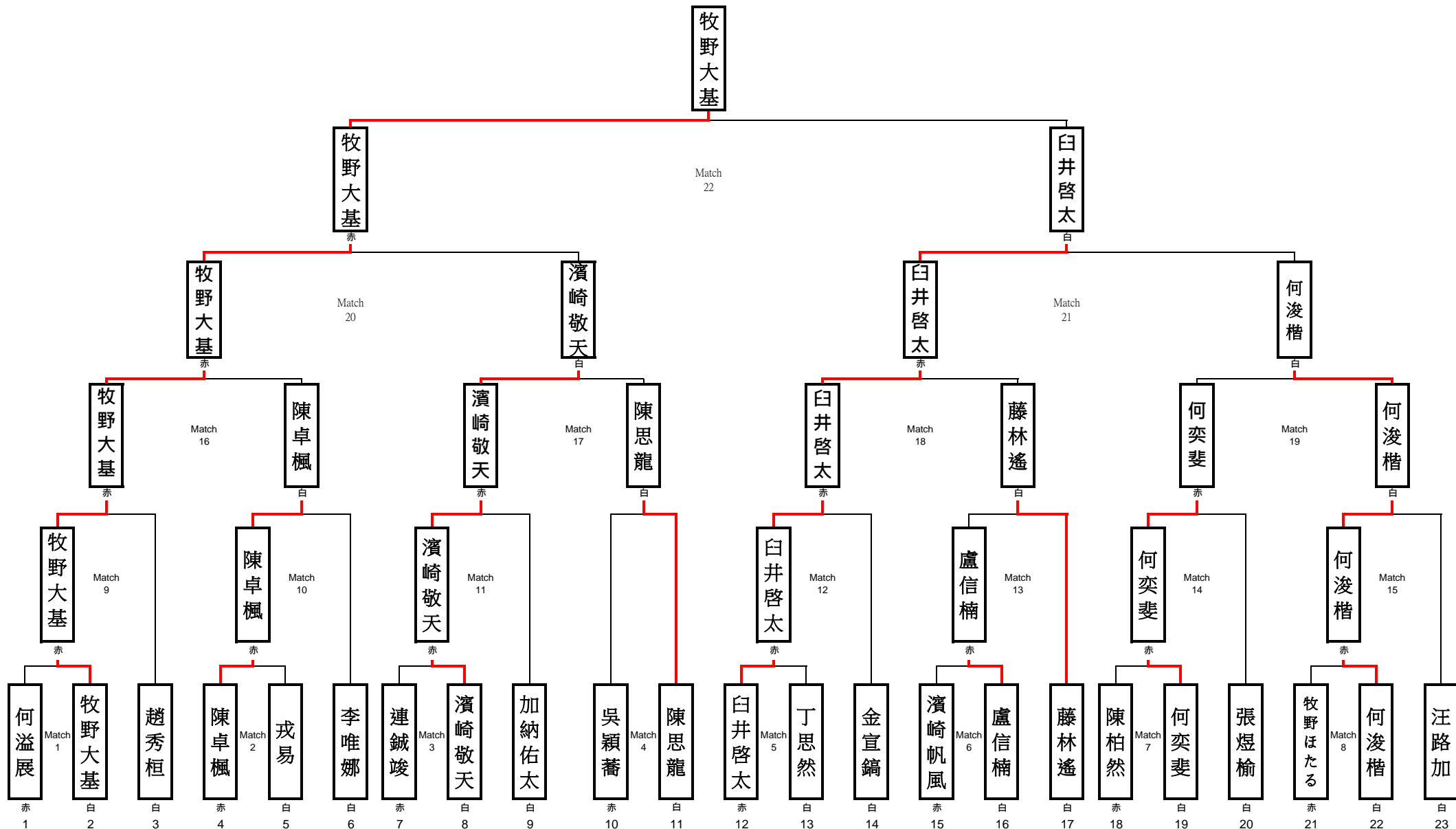




第62屆體育節-香港-澳門-珠江三角洲劍道埠際賽(GROUP-A)

62nd Festival of Sport - Hong Kong-Macau-Pearl River Delta (GROUP-A)

兒童組個人賽 Children Individuals

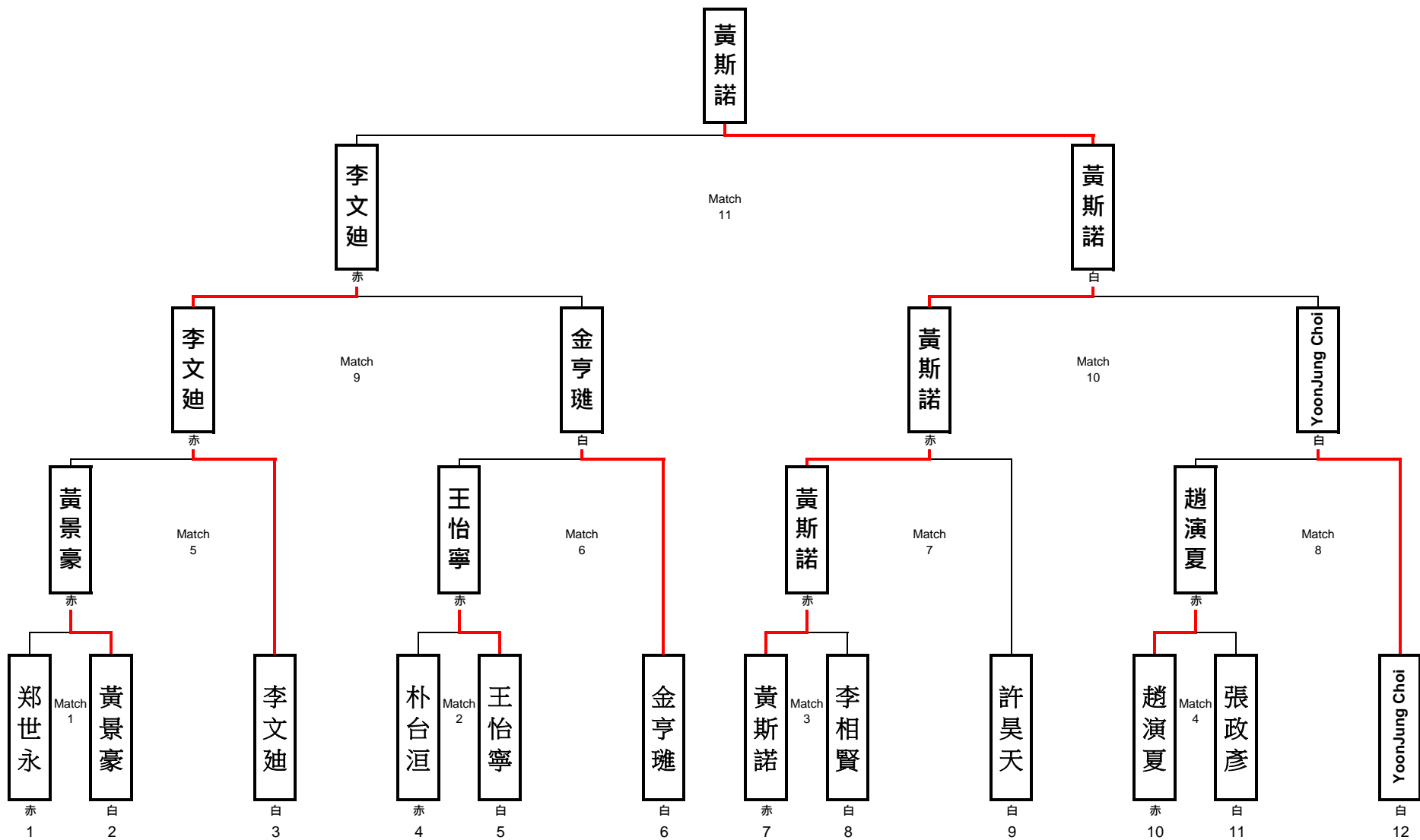


Court B



第62屆體育節-香港-澳門-珠江三角洲劍道埠際賽(GROUP-B)
62nd Festival of Sport - Hong Kong-Macau-Pearl River Delta (GROUP-B)

男子及女子少年組個人混合賽 Teenager Mixed Individual



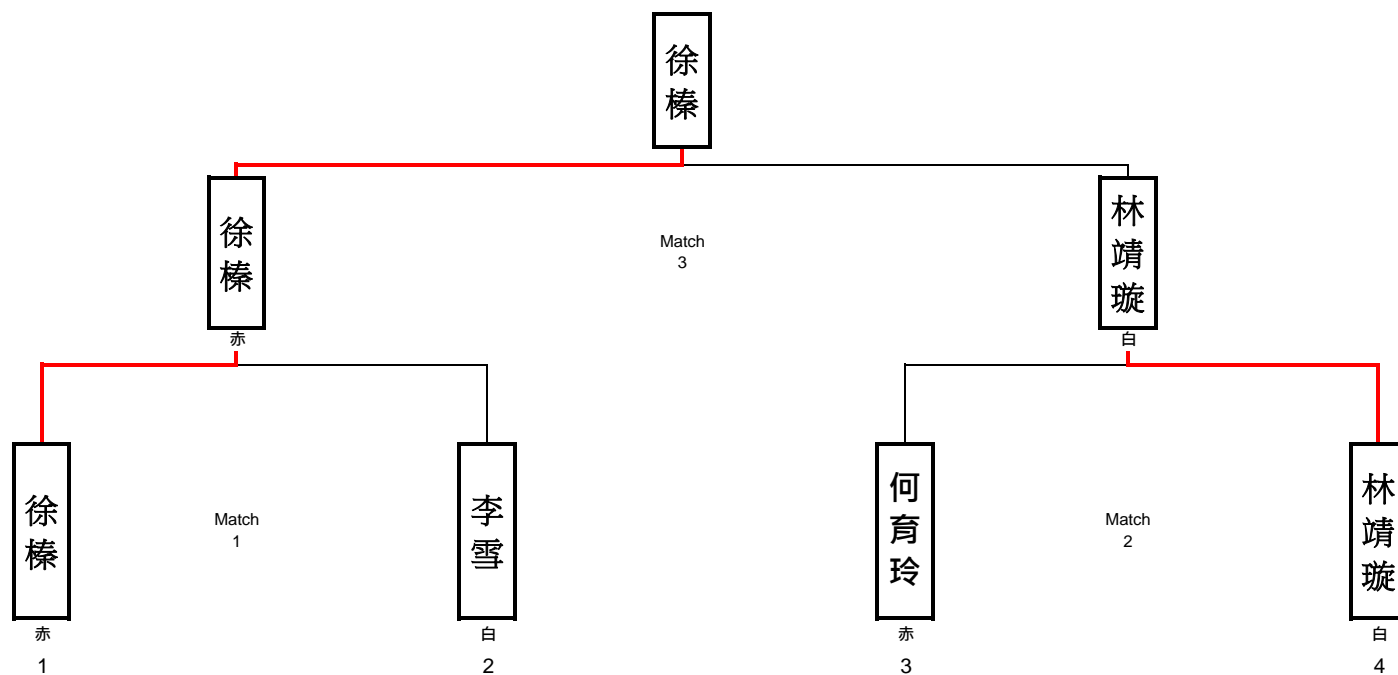
Court B



第62屆體育節-香港-澳門-珠江三角洲劍道埠際賽(GROUP-C)

62nd Festival of Sport - Hong Kong-Macau-Pearl River Delta (GROUP-C)

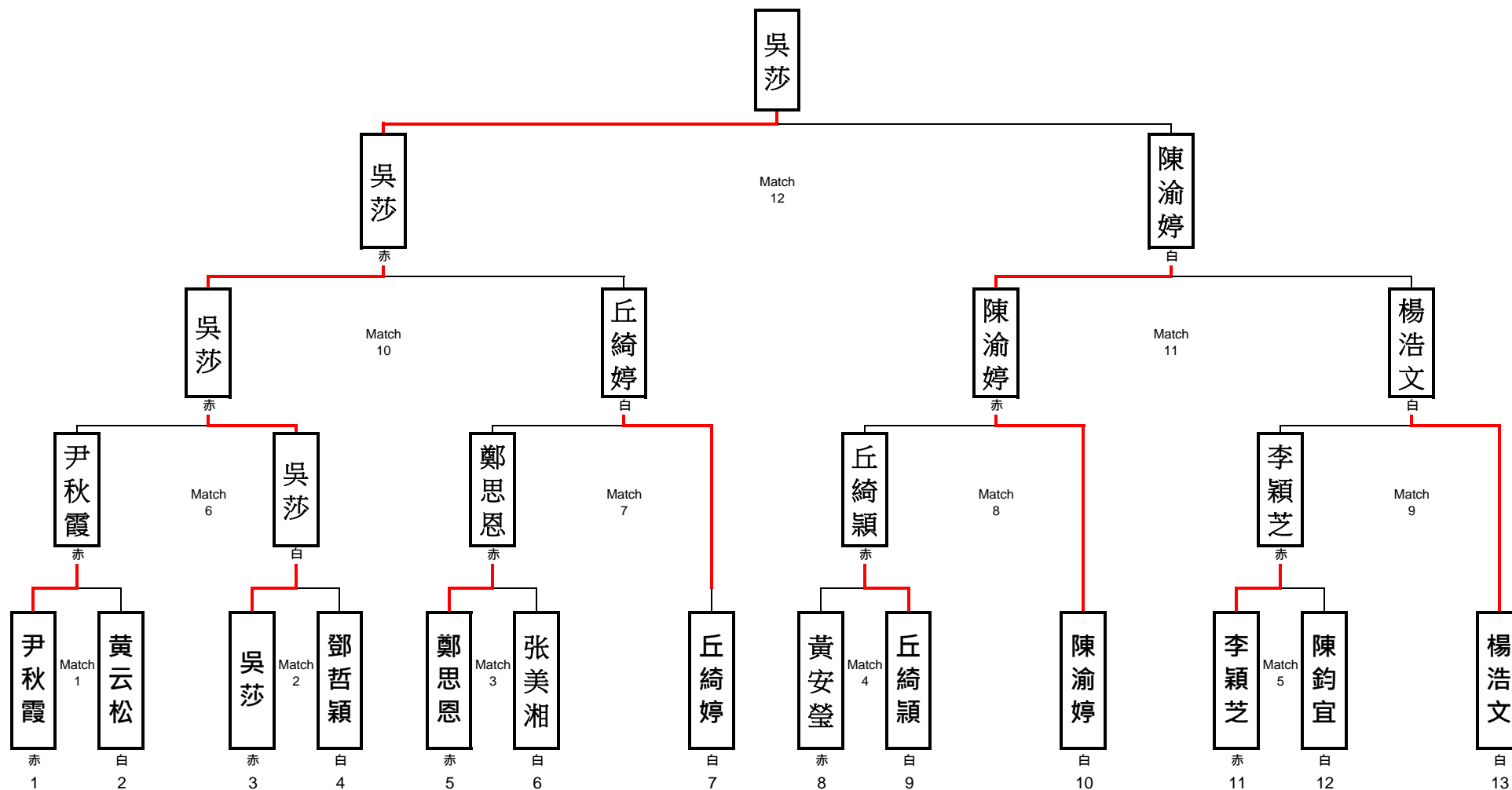
女子組個人賽(無段至初段) Women's Individual Competition (No Dan – 1st Dan)



Court A



第62屆體育節-香港-澳門-珠江三角洲劍道埠際賽(GROUP-D)
6th Festival of Sport - Hong Kong-Macau-Pearl River Delta (GROUP-D)
女子組個人賽(二段至五段) Women's Individual Competition (2nd Dan – 5th Dan)



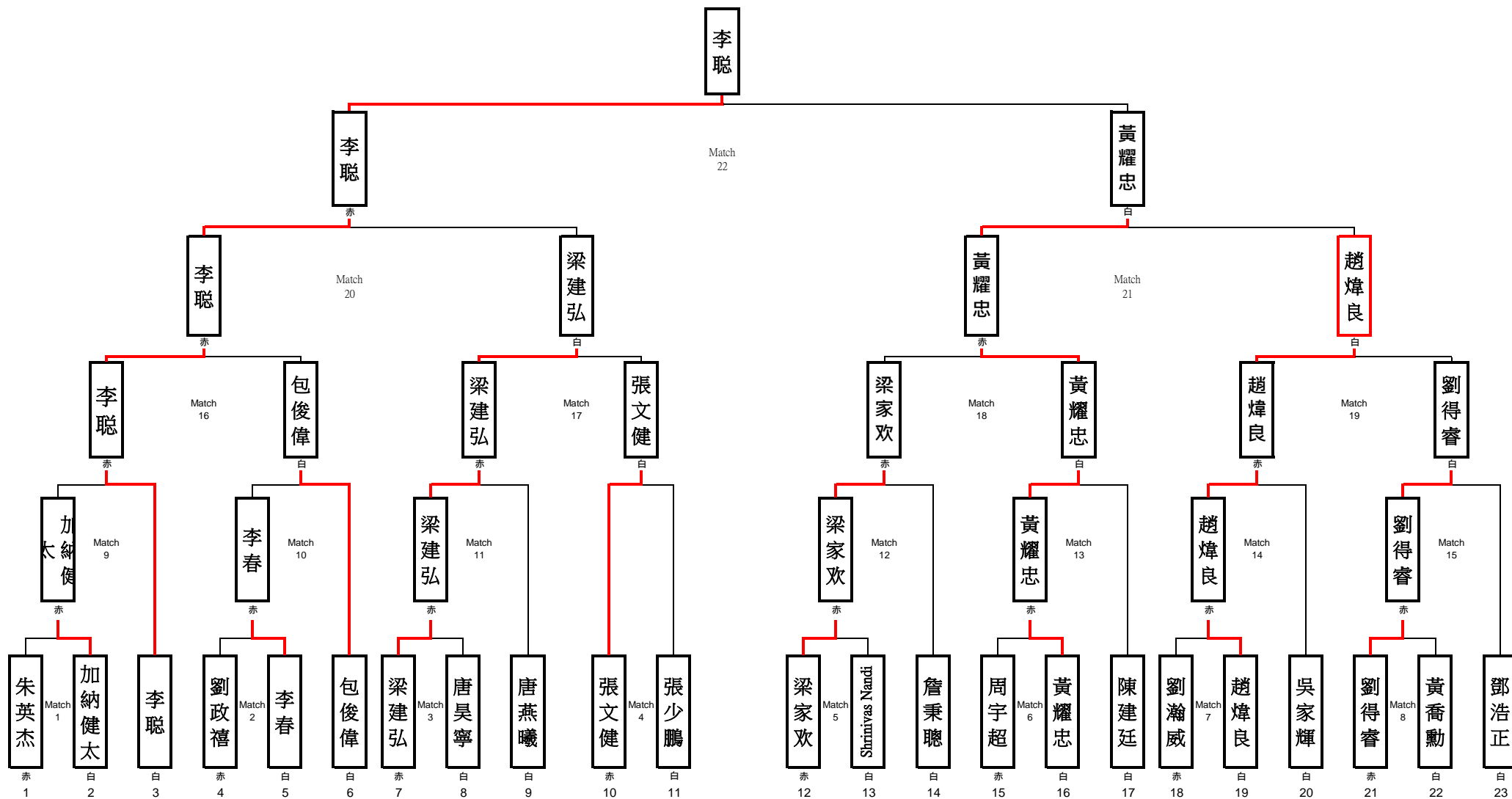
Court B



第62屆體育節-香港-澳門-珠江三角洲劍道埠際賽(GROUP-E)

62nd Festival of Sport - Hong Kong-Macau-Pearl River Delta (GROUP-E)

男子組個人賽(無段) Men's Individual Competition (No Dan)



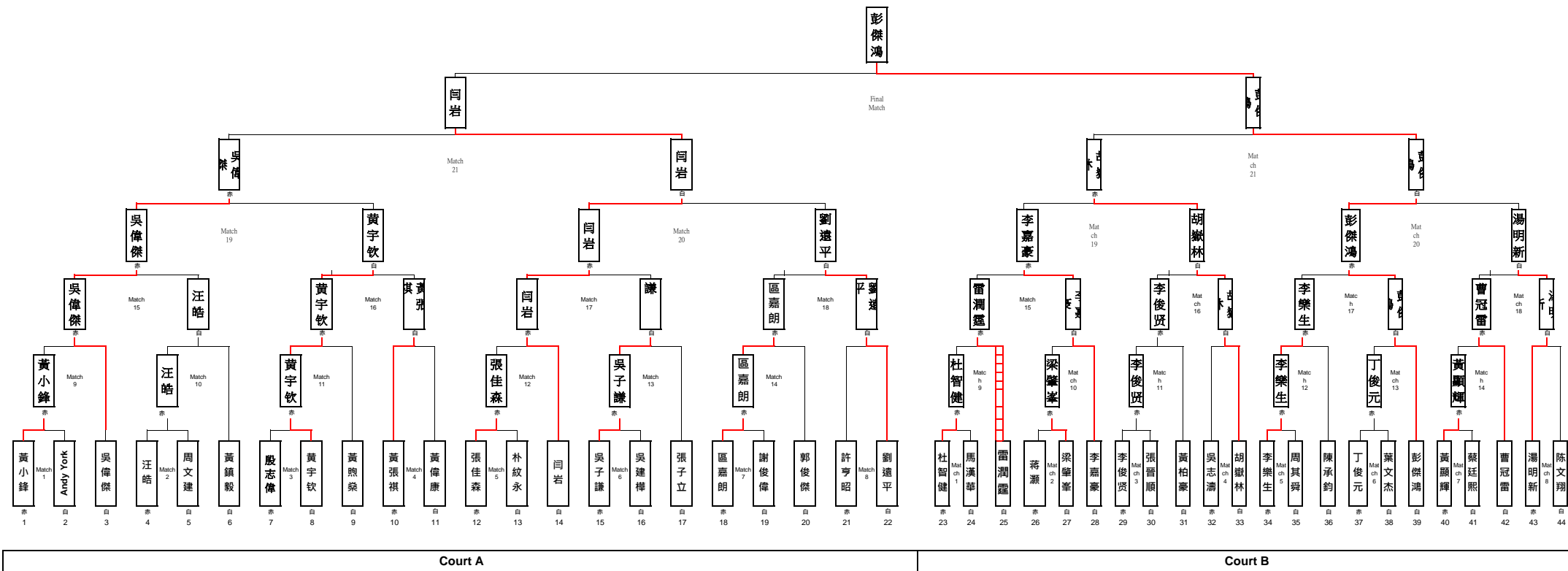
Court A



第62屆體育節-香港-澳門-珠江三角洲劍道埠際賽(GROUP-F)

62nd Festival of Sport - Hong Kong-Macau-Pearl River Delta(GROUP-F)

男子組個人賽(初段至二段) Men's Individual Competition (1st Dan – 2nd Dan)





第62屆體育節-香港-澳門-珠江三角洲劍道埠際賽(GROUP-G)
 62nd Festival of Sport - Hong Kong-Macau-Pearl River Delta (GROUP-G)
 男子組個人賽(三段至六段) Men's Individual Competition (3rd Dan – 6th Dan)

